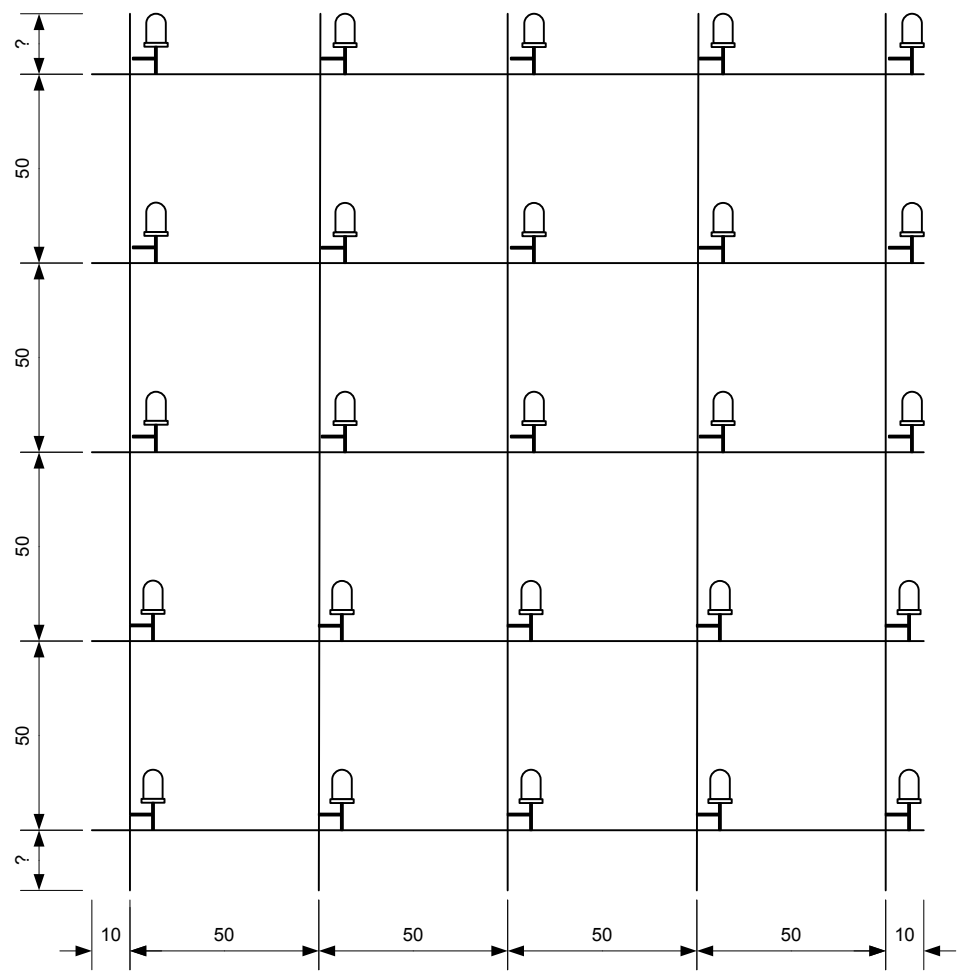
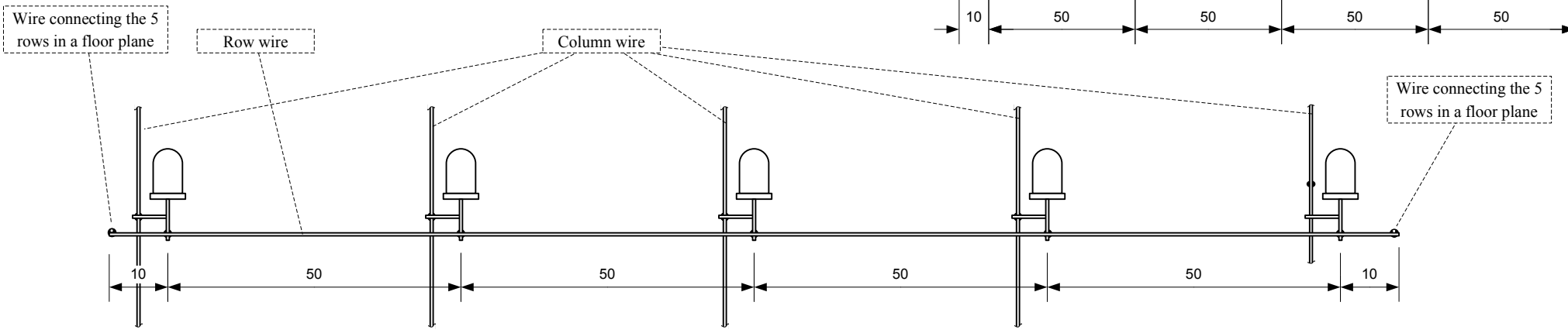


Connection of a single led (scale 2:1)



A wall of leds (scale 1:2)



A row of leds